

Production Turning Co.

Vise Jaws

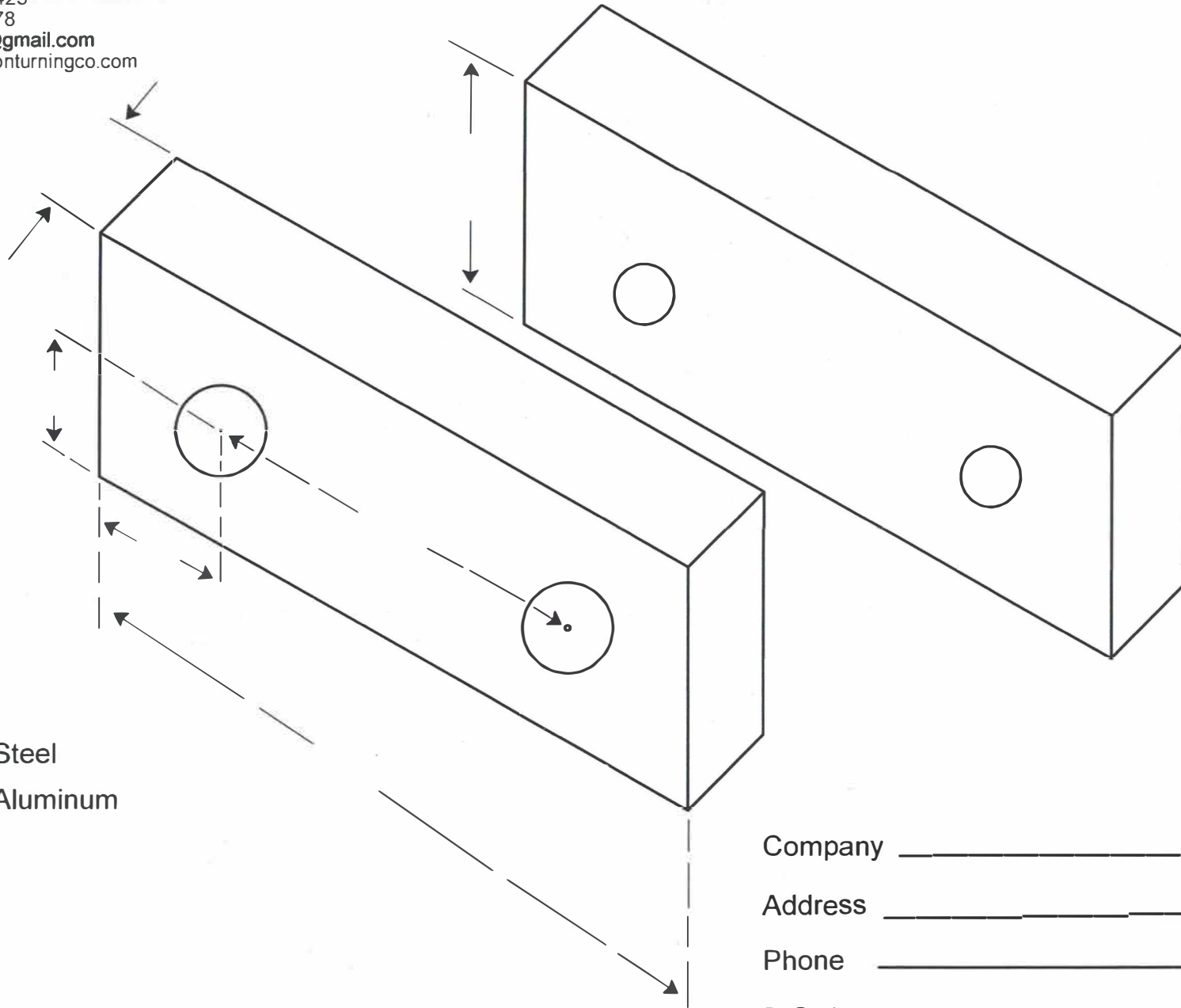
Phone: (818) 765-0436

Cell: (818) 748-7425

Fax: 818-765-3178

E-mail: ptcjaws@gmail.com

Website: productionturningco.com



Steel

Aluminum

Company _____

Address _____

Phone _____

P.O. # _____

Part No. _____