

# Production Turning Co.

Phone: (818) 765-0436  
Cell: (818) 748-7425  
Fax: 818-765-3178  
E-mail: ptcjaws@gmail.com

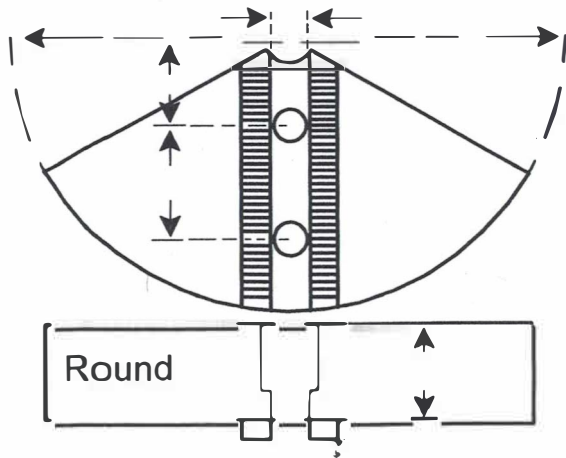
## Metric Serrations

- 1.5mm X 60°
  - 3.0mm X 60°
- 2 Holes Only

## English Serrations

- 1/16" X 90°
  - 3/32" X 90°
- 2 Holes     3 Holes

Chuck Size \_\_\_\_\_

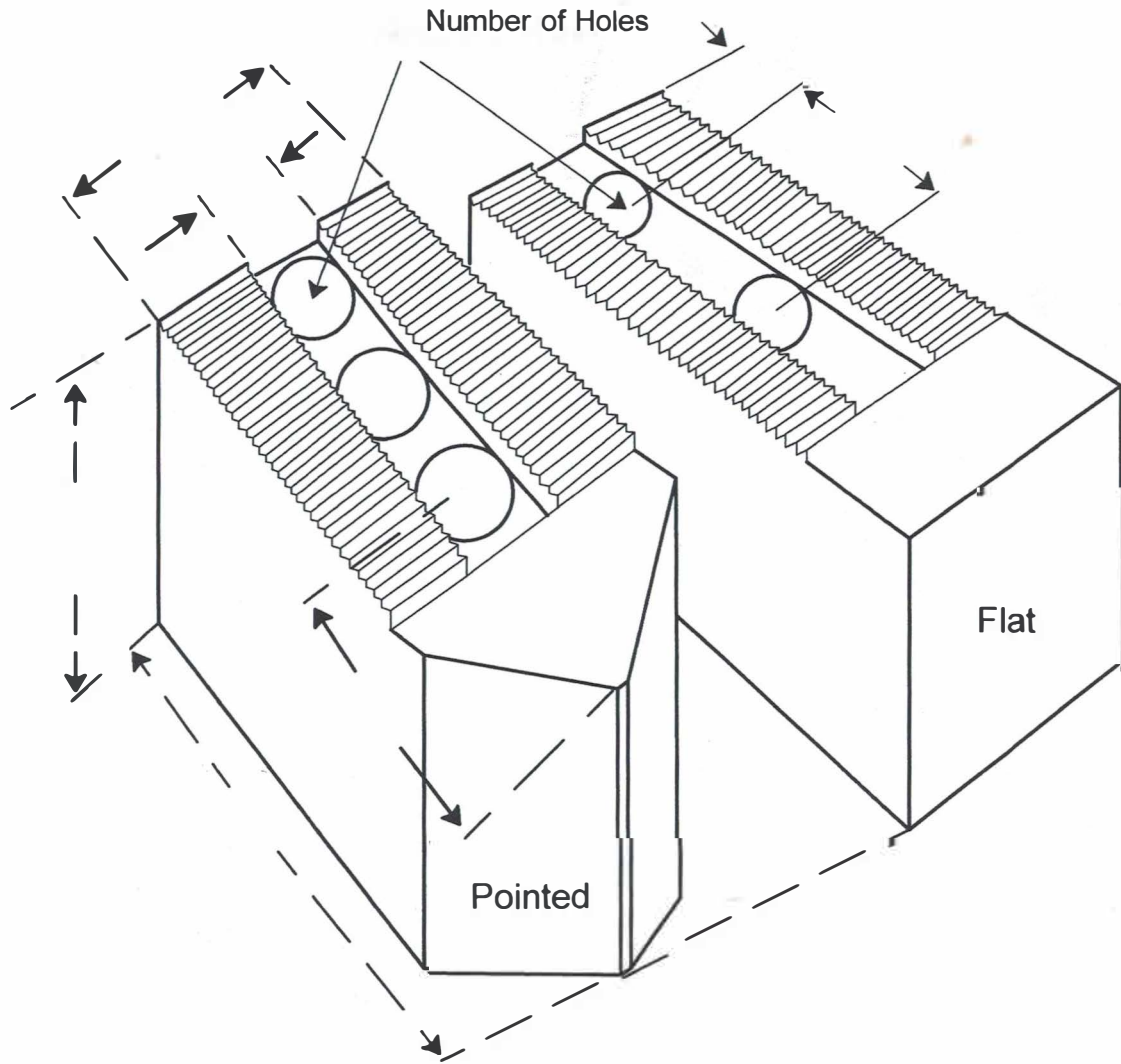


Screw Size \_\_\_\_\_

- Steel
- Aluminum
- Flat     Pointed
- Round

Part No. \_\_\_\_\_

## Serrated Bottom Style



Company \_\_\_\_\_

Address \_\_\_\_\_

Phone: \_\_\_\_\_ Fax: \_\_\_\_\_

P.O. # \_\_\_\_\_